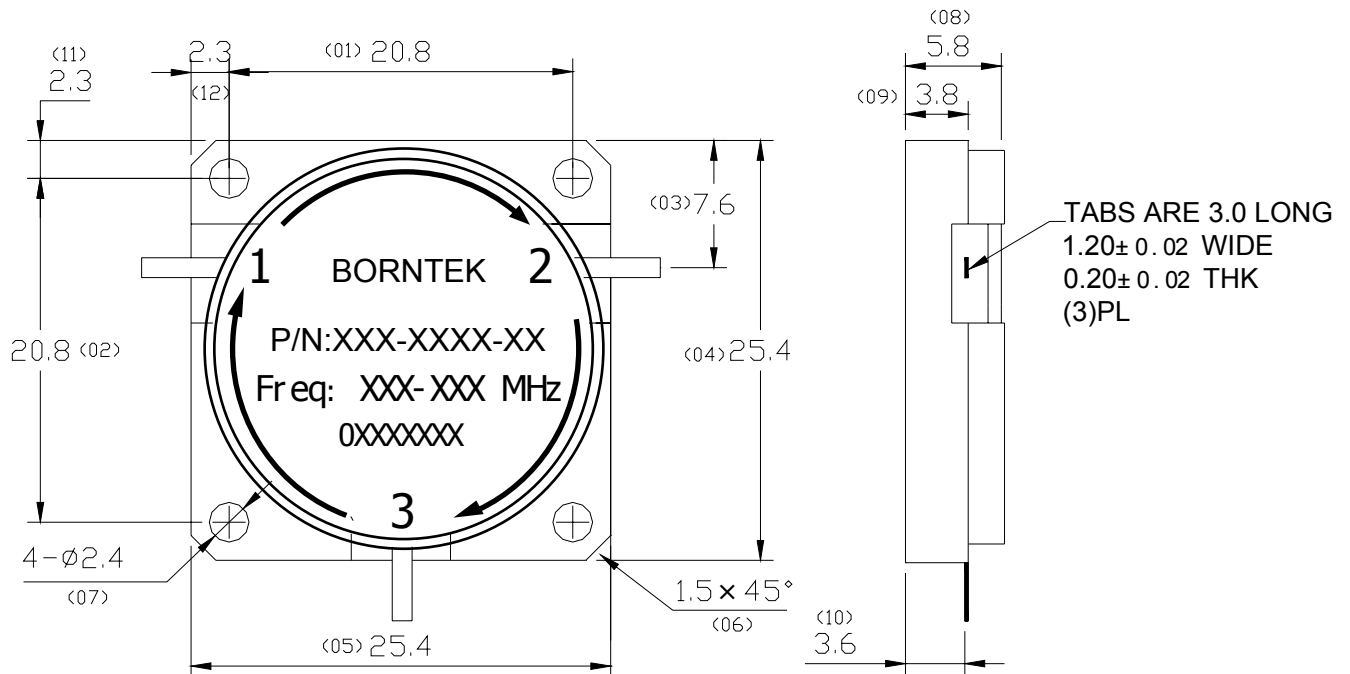


Out Line Drawing



TOLERANCES: ± 0.2

Electrical Specifications:

Parts Number	Freq. Range	Insertion Loss	Isolation	VSWR
B7G-0086-D3	860 - 870 MHz	0.4 dB, Max.	23 dB, Min.	1.2:1, Max.
B7G-0091-D3	902 - 928 MHz	0.4 dB, Max.	23 dB, Min.	1.2:1, Max.
B7G-0095-D3	950 - 956 MHz	0.4 dB, Max.	23 dB, Min.	1.2:1, Max.

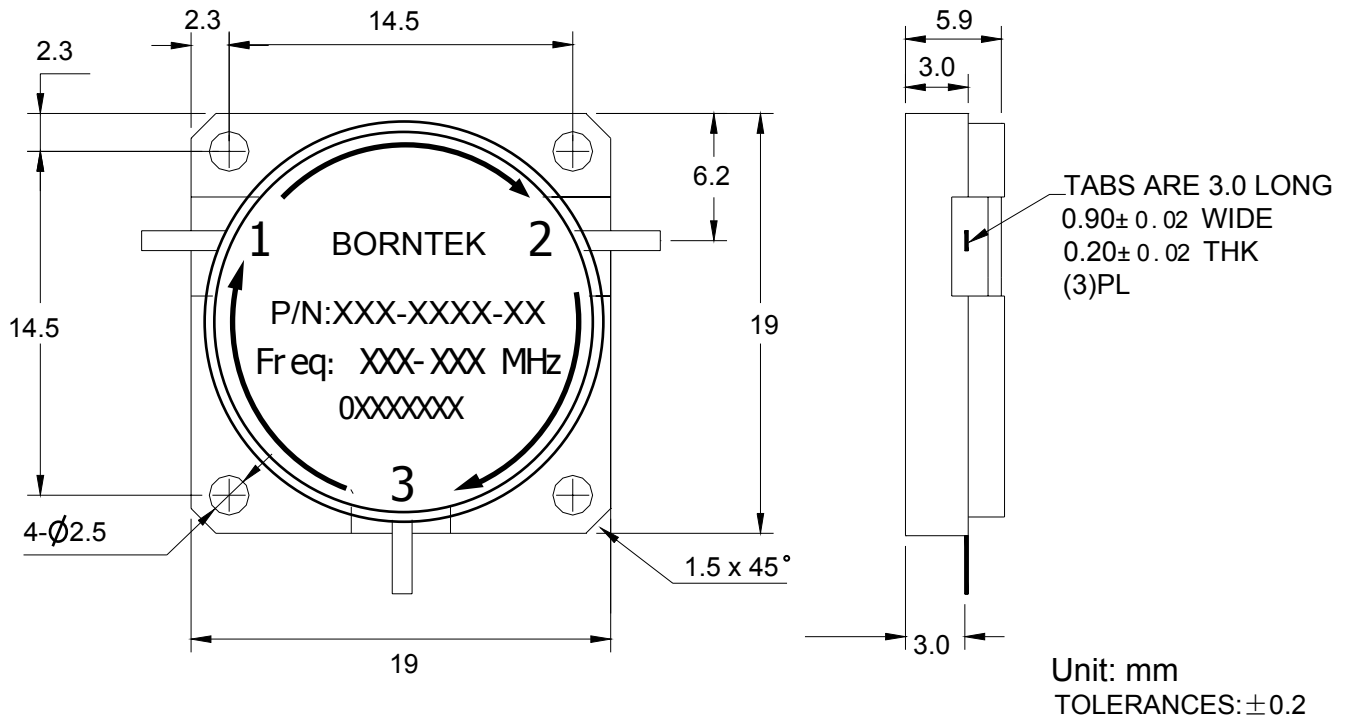
Absolute Maximum Ratings

Parameter	Absolute Maximum
Power Handling	100W-CW / 500W-Peak
Operating Temperature	-40°C to +85°C

This data sheet is not an offer for sale and shall not obligate BORNTEK to sell the products described herein or any other products. BORNTEK may, in its sole discretion, modify or discontinue, the sale of its products at any time without notice. BORNTEK makes no warranty, including warranties of merchantability or fitness for a particular purpose, with respect to the products referenced or information provided herein.



Out Line Drawing



Electrical Specifications:

Parts Number	Freq. Range	Insertion Loss	Isolation	VSWR
B7G-0260-D4	2400 - 2500 MHz	0.4 dB, Max.	23 dB, Min.	1.2:1, Max.

Absolute Maximum Ratings

Parameter	Absolute Maximum
Power Handling	60W-CW / 500W-Peak
Operating Temperature	-30°C to +85°C

This data sheet is not an offer for sale and shall not obligate BORNTEK to sell the products described herein or any other products. BORNTEK may, in its sole discretion, modify or discontinue, the sale of its products at any time without notice. BORNTEK makes no warranty, including warranties of merchantability or fitness for a particular purpose, with respect to the products referenced or information provided herein.

